

iBVD

Dokument Id
5566815519-00072
Version
1

Skapad
2020-02-17
Status
2020-02-17



Uppgiftslämnaren reserverar sig för eventuella fel i produktinformationen eller felaktigt registrerade uppgifter och förbehåller sig rätten att korrigera och/eller komplettera produktinformation utan föregående avisering

1

GRUNDDATA

Varubeskrivning

Plastmellanlägg tillverkade av polypropylen, halogenfri, färg ljusgrå RAL 7035.

Övriga upplysningar

Klassificeringar

ETIM ›	-EC000455 - Mellanlägg för kabelhållare
BK04 ›	
BSAB ›	
UNSPSC ›	

Leverantörsuppgifter

Företagsnamn

OBO Bettermann AB

Organisationsnummer

5566815519

Adress

Hemsida

www.obobettermann.se

Miljökontaktperson

Namn

Helen Holmström

Telefon

042-3888204

E-post

holmstrom.helen@obobettermann.se

2

HÅLLBARHETSARBETE

Företagets certifiering

- ISO 9000
- ISO 14000

3 INNEHÅLLSDEKLARATION

Kemisk produkt	Nej
Omfattas varan av RoHS-direktivet	Nej
Innehåller produkten tillsatt nanomaterial, som är medvetet tillsatta för att uppnå en viss funktion	Nej
Varans vikt	0,002 - 0,012 kg

Vara / Delkomponenter

Koncentrationen har beräknats på hela varan

Ingående material /komponenter	Vikt-% i komponent	CAS-nr (alt legering)	EG-nr (alt legering)	Vikt % i produkt	Kommentar
Polypropylen		Övrigt, polymer		100%	halogenfri, RAL 7035

Del av materialinnehållet som är deklarerat 100%

Särskilt farliga ämnen

Varan innehåller INTE några ämnen med särskilt farliga egenskaper (Substances of very high concern, SVHC-ämnen) som finns med på kandidatförteckningen i en koncentration som överstiger 0,1 vikts-%

Utgåva av kandidatförteckningen som har använts

2019-09-25 00:00:00

Övrigt

Ämnen är redovisade ned till 0.01 viktprocent enligt iBVDs redovisningskrav. Eventuell avvikelse från redovisningskraven redovisas nedan

4 RÅVAROR

Återvunnet material

Innehåller varan återvunnet material: Nej

Träråvara

Träråvara ingår i varan: Nej

5 MILJÖPÅVERKAN

Finns en miljövarudeklaration framtagen enligt EN15804 eller ISO14025 för varan

Ja

Finns annan miljövarudeklaration

Nej

6 DISTRIBUTION

Beskrivning av emballagehantering för distribution av varan

Levereras i kartong som kan återvinnas.

7 BYGGSCKEDET

Ställer varan särskilda krav vid lagring?

Nej

Ställer varan särskilda krav på omgivande byggvaror?

Nej

8 BRUKSSKEDET

Finns skötselanvisningar/skötselråd?

Nej

Finns en energimärkning enligt energimärkningsdirektivet (2010/30/EU) för varan?

Ej relevant

9 RIVNING

Kräver varan särskilda åtgärder för skydd av hälsa och miljö vid rivning/demontering?

Nej

10 AVFALLSHANtering

Omfattas den levererade varan av förordningen (2014:1075) om producentansvar för elektriska och elektroniska produkter när den blir avfall?

Nej

Är återanvändning möjlig för hela eller delar av varan?

Ja

Är materialåtervinning möjlig för hela eller delar av varan?

Nej

Är energiåtervinning möjlig för hela eller delar av varan?	Nej
Har leverantören restriktioner och rekommendationer för återanvändning, material- eller energiåtervinning eller deponering?	Nej
När den levererade varan blir avfall, klassas den då som farligt avfall?	Nej
Avfallskod (EWC) för den levererade varan	170203

E-nummer	Leverantörens artikelnummer	GTIN
15 262 00	1198012	4012196636129
15 262 01	1198016	4012196636150
15 262 02	1198022	4012196636167
15 262 03	1198028	4012196636174
15 262 04	1198034	4012196636181
15 262 05	1198040	4012196636198
15 262 06	1198046	4012196636204
15 262 07	1198052	4012196636211
15 262 08	1198058	4012196636228
15 262 09	1198064	4012196636235
15 262 10	1198070	4012196636242
15 262 11	1198076	4012196636273
15 262 12	1198082	4012196636280
15 262 13	1198090	4012196636297
15 262 14	1198100	4012196636303

Produktdatablad Mellanlägg.pdf

Prestandadeklaration

Säkerhetsblad

Miljövarudeklaration

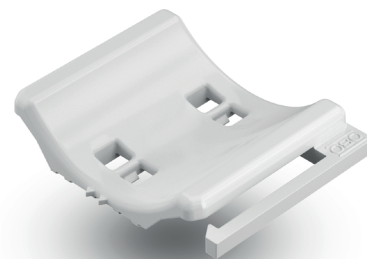
Skötselansvisning

Övriga bifogade dokument

Datum: 02.08.2019

01-270 Kabelhållar system

Produkt: Mellanlägg Universal 2058UW

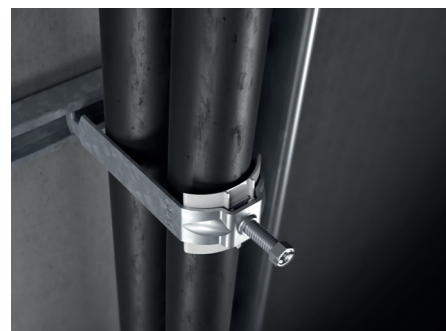


Vårt nya universella mellanlägg ersätter tidigare mellanlägg då den fungerar både som enkelt och dubbelt mellanlägg.

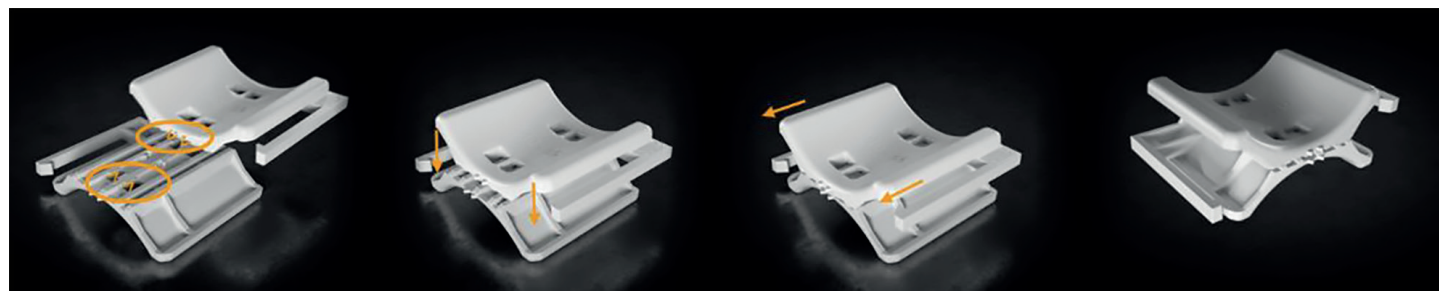
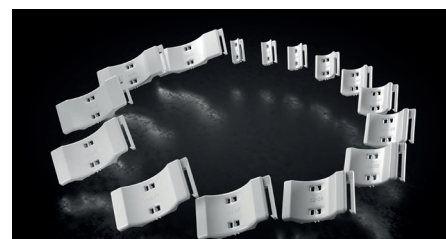
Oavsett vilken OBO-kabelhållare som används, så passar våra nya mellanlägg alla hållare och skenor från OBO och finns tillgängliga i alla bredder. Stabilitet och stöd på skenor anpassas och optimeras efter installationskraven.

Till skillnad från föregående mellanlägg kan det universella mellanlägget enkelt efterinstalleras direkt i kabelhållaren.

Utgående : E-nummer		Ersätts av: E-nummer	Benämning ny modell	Storlek
1524011	1196111	1526200	Mellanlägg universal 12 PP	8 – 12 mm
1524012	1196162	1526201	Mellanlägg universal 16 PP	12 – 16 mm
1524013	1196227	1526202	Mellanlägg universal 22 PP	16 – 22 mm
1524014	1196286	1526203	Mellanlägg universal 28 PP	22 – 28 mm
1524015	1196340	1526204	Mellanlägg universal 34 PP	28 – 34 mm
1524016	1196405	1526205	Mellanlägg universal 40 PP	34 – 40 mm
1524017	1196464	1526206	Mellanlägg universal 46 PP	40 – 46 mm
1524018	1196529	1526207	Mellanlägg universal 52 PP	46 – 52 mm
1524019	1196588	1526208	Mellanlägg universal 58 PP	52 – 58 mm
1524020		1526209	Mellanlägg universal 64 PP	58 – 64 mm
1524021		1526210	Mellanlägg universal 70 PP	64 – 70 mm
1524022		1526211	Mellanlägg universal 76 PP	70 – 76 mm
1524023		1526212	Mellanlägg universal 82 PP	76 – 82 mm
1524024		1526213	Mellanlägg universal 90 PP	82 – 90 mm
1524025		1526214	Mellanlägg universal 100 PP	90 – 100 mm



Mellanläggerna sammanfogas till ett dubbelt mellanlägg tack vare en patenterad struktur på mellanläggets baksida. Placera två mellanlägg av samma typ med baksidorna mot varandra och skjut samman längs med markeringarna. Efterinstallation möjlig utan demontering.



Technical data sheet

Counter-trough, plastic, universal

Art.-Nr. 1198012



Regardless of the type of rail, the counter-trough can be used by applying it onto one side of the clamp clip. Due to an intelligent contour on the backside, the counter-trough can be combined to a double trough. Retrofitting possible without the need to dismantle.

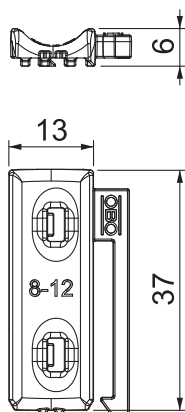


PP Polypropylene

Master data

Item No.	1198012
Type	2058UW 12 LGR
Description 1	Counter-trough
Description 2	combinable with double trough
Available from	15.05.2019
Dimension	8-12mm
Colour	Light grey
RAL number	7.035,00
Material	Polypropylene
Material symbol	PP
Smallest sales unit	100,00 pcs
Weight	0,17 kg/100 pcs.

Technical specifications



Dimension B	18,50 mm
Dimension H	5,80 mm
Dimension L	37,00 mm
Counter-trough/clip version	Counter-trough
Suitable for max. cable diameter	12,00 mm
Clamping range D	8,00 - 12,00 mm

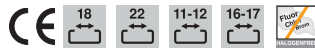
Technical data sheet

Counter-trough, plastic, universal

Art.-Nr. 1198016



Regardless of the type of rail, the counter-trough can be used by applying it onto one side of the clamp clip. Due to an intelligent contour on the backside, the counter-trough can be combined to a double trough. Retrofitting possible without the need to dismantle.

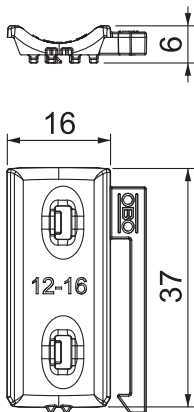


PP Polypropylene

Master data

Item No.	1198016
Type	2058UW 16 LGR
Description 1	Counter-trough
Description 2	combinable with double trough
Available from	15.05.2019
Dimension	12-16mm
Colour	Light grey
RAL number	7.035,00
Material	Polypropylene
Material symbol	PP
Smallest sales unit	100,00 pcs
Weight	0,21 kg/100 pcs.

Technical specifications



Dimension B	21,50 mm
Dimension H	5,80 mm
Dimension L	37,00 mm
Counter-trough/clip version	Counter-trough
Suitable for max. cable diameter	16,00 mm
Clamping range D	12,00 - 16,00 mm

Technical data sheet

Counter-trough, plastic, universal

Art.-Nr. 1198022



Regardless of the type of rail, the counter-trough can be used by applying it onto one side of the clamp clip. Due to an intelligent contour on the backside, the counter-trough can be combined to a double trough. Retrofitting possible without the need to dismantle.

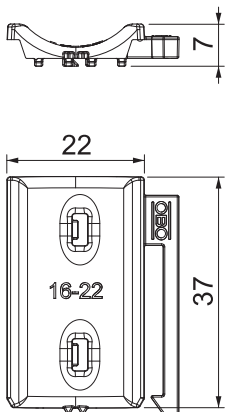


PP Polypropylene

Master data

Item No.	1198022
Type	2058UW 22 LGR
Description 1	Counter-trough
Description 2	combinable with double trough
Available from	15.05.2019
Dimension	16-22mm
Colour	Light grey
RAL number	7.035,00
Material	Polypropylene
Material symbol	PP
Smallest sales unit	100,00 pcs
Weight	0,27 kg/100 pcs.

Technical specifications



Dimension B	27,50 mm
Dimension H	6,80 mm
Dimension L	37,00 mm
Counter-trough/clip version	Counter-trough
Suitable for max. cable diameter	22,00 mm
Clamping range D	16,00 - 22,00 mm

Technical data sheet

Counter-trough, plastic, universal

Art.-Nr. 1198028



Regardless of the type of rail, the counter-trough can be used by applying it onto one side of the clamp clip. Due to an intelligent contour on the backside, the counter-trough can be combined to a double trough. Retrofitting possible without the need to dismantle.

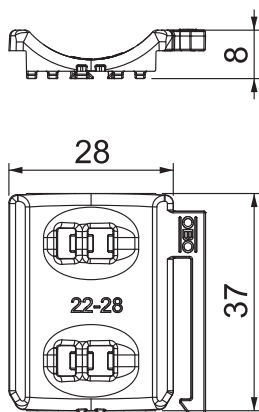


PP Polypropylene

Master data

Item No.	1198028
Type	2058UW 28 LGR
Description 1	Counter-trough
Description 2	combinable with double trough
Available from	15.05.2019
Dimension	22-28mm
Colour	Light grey
RAL number	7.035,00
Material	Polypropylene
Material symbol	PP
Smallest sales unit	100,00 pcs
Weight	0,39 kg/100 pcs.

Technical specifications



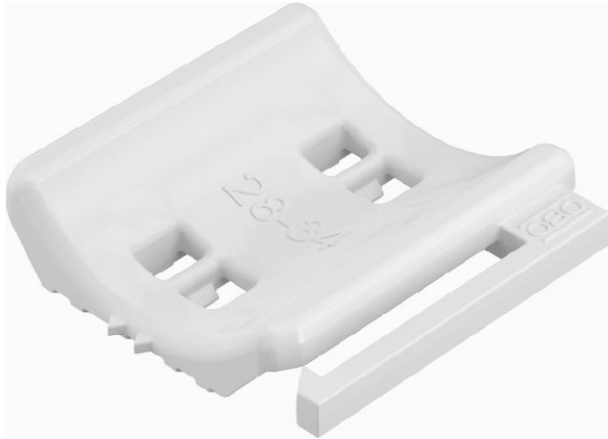
Dimension B	33,50 mm
Dimension H	8,30 mm
Dimension L	37,00 mm
Counter-trough/clip version	Counter-trough
Suitable for max. cable diameter	28,00 mm
Clamping range D	22,00 - 28,00 mm

Technical data sheet

Counter-trough, plastic, universal



Art.-Nr. 1198034



Regardless of the type of rail, the counter-trough can be used by applying it onto one side of the clamp clip. Due to an intelligent contour on the backside, the counter-trough can be combined to a double trough. Retrofitting possible without the need to dismantle.

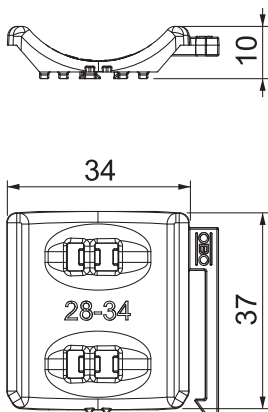


PP Polypropylene

Master data

Item No.	1198034
Type	2058UW 34 LGR
Description 1	Counter-trough
Description 2	combinable with double trough
Available from	15.05.2019
Dimension	28-34mm
Colour	Light grey
RAL number	7.035,00
Material	Polypropylene
Material symbol	PP
Smallest sales unit	100,00 pcs
Weight	0,42 kg/100 pcs.

Technical specifications



Dimension B	45,50 mm
Dimension H	9,80 mm
Dimension L	37,00 mm
Counter-trough/clip version	Counter-trough
Suitable for max. cable diameter	34,00 mm
Clamping range D	28,00 - 34,00 mm

Technical data sheet

Counter-trough, plastic, universal

Art.-Nr. 1198040



Regardless of the type of rail, the counter-trough can be used by applying it onto one side of the clamp clip. Due to an intelligent contour on the backside, the counter-trough can be combined to a double trough. Retrofitting possible without the need to dismantle.

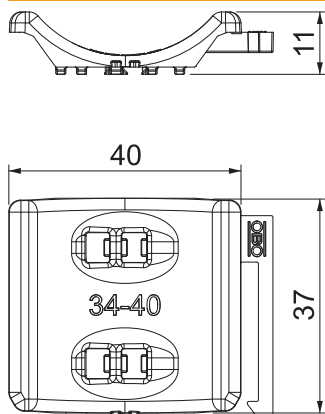


PP Polypropylene

Master data

Item No.	1198040
Type	2058UW 40 LGR
Description 1	Counter-trough
Description 2	combinable with double trough
Available from	15.05.2019
Dimension	34-40mm
Colour	Light grey
RAL number	7.035,00
Material	Polypropylene
Material symbol	PP
Smallest sales unit	50,00 pcs
Weight	0,50 kg/100 pcs.

Technical specifications



Dimension B	45,50 mm
Dimension H	10,80 mm
Dimension L	37,00 mm
Counter-trough/clip version	Counter-trough
Suitable for max. cable diameter	40,00 mm
Clamping range D	34,00 - 40,00 mm

Technical data sheet

Counter-trough, plastic, universal

Art.-Nr. 1198046



Regardless of the type of rail, the counter-trough can be used by applying it onto one side of the clamp clip. Due to an intelligent contour on the backside, the counter-trough can be combined to a double trough. Retrofitting possible without the need to dismantle.

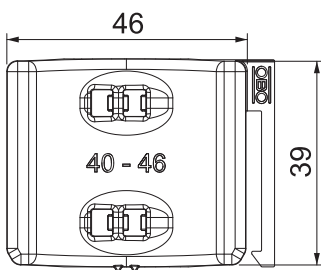


PP Polypropylene

Master data

Item No.	1198046
Type	2058UW 46 LGR
Description 1	Counter-trough
Description 2	combinable with double trough
Available from	15.05.2019
Dimension	40-46mm
Colour	Light grey
RAL number	7.035,00
Material	Polypropylene
Material symbol	PP
Smallest sales unit	50,00 pcs
Weight	0,65 kg/100 pcs.

Technical specifications

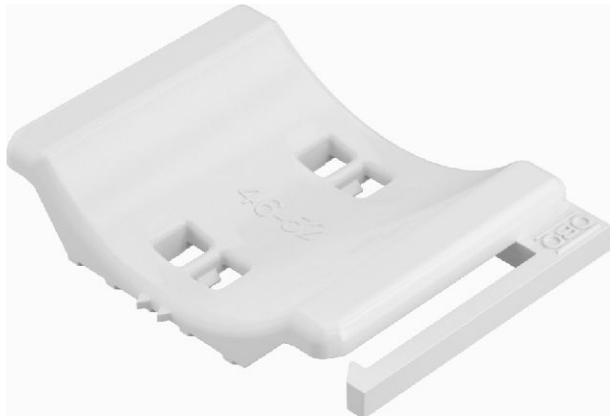


Dimension B	51,50 mm
Dimension H	11,80 mm
Dimension L	40,00 mm
Counter-trough/clip version	Counter-trough
Suitable for max. cable diameter	46,00 mm
Clamping range D	40,00 - 46,00 mm

Technical data sheet

Counter-trough, plastic, universal

Art.-Nr. 1198052



Regardless of the type of rail, the counter-trough can be used by applying it onto one side of the clamp clip. Due to an intelligent contour on the backside, the counter-trough can be combined to a double trough. Retrofitting possible without the need to dismantle.

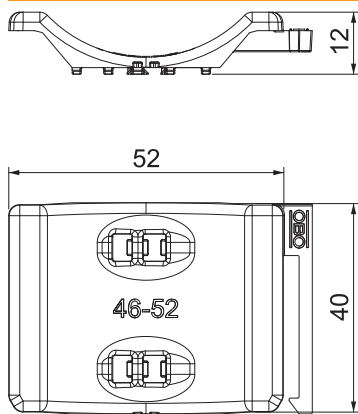


PP Polypropylene

Master data

Item No.	1198052
Type	2058UW 52 LGR
Description 1	Counter-trough
Description 2	combinable with double trough
Available from	15.05.2019
Dimension	46-52mm
Colour	Light grey
RAL number	7.035,00
Material	Polypropylene
Material symbol	PP
Smallest sales unit	50,00 pcs
Weight	0,72 kg/100 pcs.

Technical specifications



Dimension B	57,50 mm
Dimension H	11,80 mm
Dimension L	40,00 mm
Counter-trough/clip version	Counter-trough
Suitable for max. cable diameter	52,00 mm
Clamping range D	46,00 - 52,00 mm

Technical data sheet

Counter-trough, plastic, universal

Art.-Nr. 1198058



Regardless of the type of rail, the counter-trough can be used by applying it onto one side of the clamp clip. Due to an intelligent contour on the backside, the counter-trough can be combined to a double trough. Retrofitting possible without the need to dismantle.

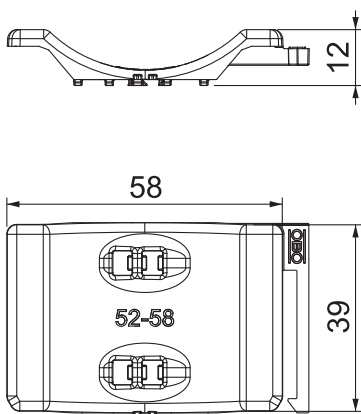


PP Polypropylene

Master data

Item No.	1198058
Type	2058UW 58 LGR
Description 1	Counter-trough
Description 2	combinable with double trough
Available from	15.05.2019
Dimension	52-58mm
Colour	Light grey
RAL number	7.035,00
Material	Polypropylene
Material symbol	PP
Smallest sales unit	50,00 pcs
Weight	0,79 kg/100 pcs.

Technical specifications



Dimension B	63,50 mm
Dimension H	11,80 mm
Dimension L	40,00 mm
Counter-trough/clip version	Counter-trough
Suitable for max. cable diameter	58,00 mm
Clamping range D	52,00 - 58,00 mm

Technical data sheet

Counter-trough, plastic, universal

Art.-Nr. 1198064



Regardless of the type of rail, the counter-trough can be used by applying it onto one side of the clamp clip. Due to an intelligent contour on the backside, the counter-trough can be combined to a double trough. Retrofitting possible without the need to dismantle.

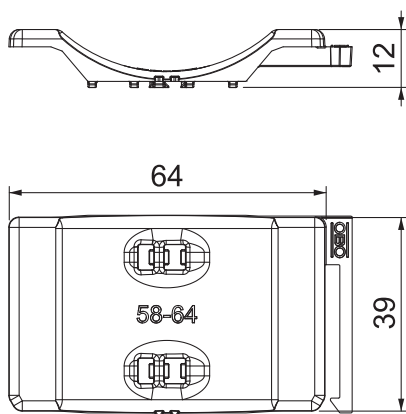


PP Polypropylene

Master data

Item No.	1198064
Type	2058UW 64 LGR
Description 1	Counter-trough
Description 2	combinable with double trough
Available from	15.05.2019
Dimension	58-64mm
Colour	Light grey
RAL number	7.035,00
Material	Polypropylene
Material symbol	PP
Smallest sales unit	50,00 pcs
Weight	0,88 kg/100 pcs.

Technical specifications



Dimension B	69,50 mm
Dimension H	11,80 mm
Dimension L	40,00 mm
Counter-trough/clip version	Counter-trough
Suitable for max. cable diameter	64,00 mm
Clamping range D	58,00 - 64,00 mm

Technical data sheet

Counter-trough, plastic, universal

Art.-Nr. 1198070



Regardless of the type of rail, the counter-trough can be used by applying it onto one side of the clamp clip. Due to an intelligent contour on the backside, the counter-trough can be combined to a double trough. Retrofitting possible without the need to dismantle.

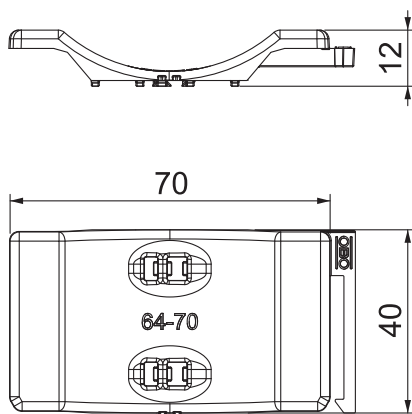


PP Polypropylene

Master data

Item No.	1198070
Type	2058UW 70 LGR
Description 1	Counter-trough
Description 2	combinable with double trough
Available from	15.05.2019
Dimension	64-70mm
Colour	Light grey
RAL number	7.035,00
Material	Polypropylene
Material symbol	PP
Smallest sales unit	25,00 pcs
Weight	0,96 kg/100 pcs.

Technical specifications



Dimension B	75,50 mm
Dimension H	12,30 mm
Dimension L	40,00 mm
Counter-trough/clip version	Counter-trough
Suitable for max. cable diameter	70,00 mm
Clamping range D	64,00 - 70,00 mm

Technical data sheet

Counter-trough, plastic, universal

Art.-Nr. 1198076



Regardless of the type of rail, the counter-trough can be used by applying it onto one side of the clamp clip. Due to an intelligent contour on the backside, the counter-trough can be combined to a double trough. Retrofitting possible without the need to dismantle.

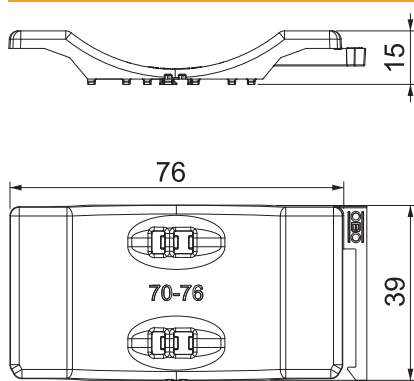


PP Polypropylene

Master data

Item No.	1198076
Type	2058UW 76 LGR
Description 1	Counter-trough
Description 2	combinable with double trough
Available from	15.05.2019
Dimension	70-76mm
Colour	Light grey
RAL number	7.035,00
Material	Polypropylene
Material symbol	PP
Smallest sales unit	25,00 pcs
Weight	0,94 kg/100 pcs.

Technical specifications

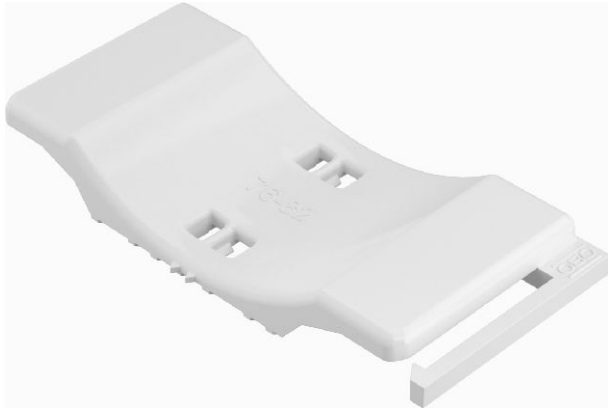


Dimension B	81,50 mm
Dimension H	12,30 mm
Dimension L	40,00 mm
Counter-trough/clip version	Counter-trough
Suitable for max. cable diameter	76,00 mm
Clamping range D	70,00 - 76,00 mm

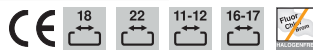
Technical data sheet

Counter-trough, plastic, universal

Art.-Nr. 1198082



Regardless of the type of rail, the counter-trough can be used by applying it onto one side of the clamp clip. Due to an intelligent contour on the backside, the counter-trough can be combined to a double trough. Retrofitting possible without the need to dismantle.

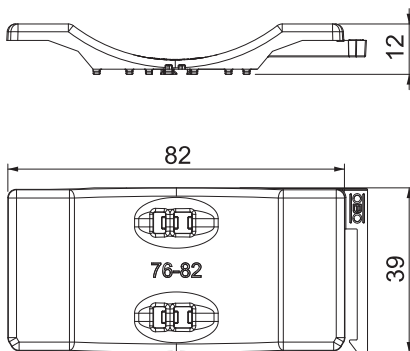


PP Polypropylene

Master data

Item No.	1198082
Type	2058UW 82 LGR
Description 1	Counter-trough
Description 2	combinable with double trough
Available from	15.05.2019
Dimension	76-82mm
Colour	Light grey
RAL number	7.035.00
Material	Polypropylene
Material symbol	PP
Smallest sales unit	25,00 pcs
Weight	1,11 kg/100 pcs.

Technical specifications



Dimension B	87,50 mm
Dimension H	12,30 mm
Dimension L	40,00 mm
Counter-trough/clip version	Counter-trough
Suitable for max. cable diameter	82,00 mm
Clamping range D	76,00 - 82,00 mm

Technical data sheet

Counter-trough, plastic, universal

Art.-Nr. 1198090



Regardless of the type of rail, the counter-trough can be used by applying it onto one side of the clamp clip. Due to an intelligent contour on the backside, the counter-trough can be combined to a double trough. Retrofitting possible without the need to dismantle.

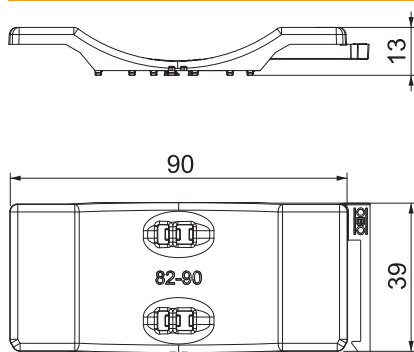


PP Polypropylene

Master data

Item No.	1198090
Type	2058UW 90 LGR
Description 1	Counter-trough
Description 2	combinable with double trough
Available from	15.05.2019
Dimension	82-90mm
Colour	Light grey
RAL number	7.035,00
Material	Polypropylene
Material symbol	PP
Smallest sales unit	25,00 pcs
Weight	1,10 kg/100 pcs.

Technical specifications

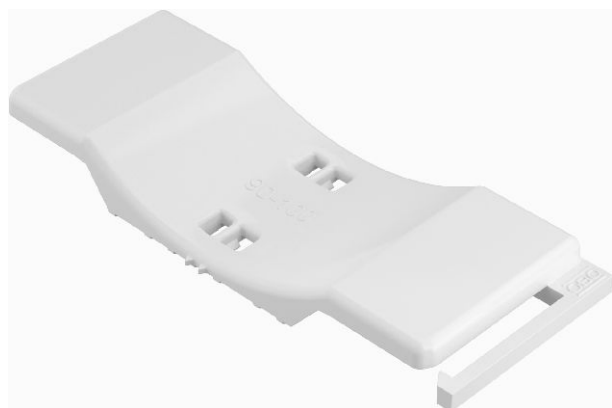


Dimension B	96,00 mm
Dimension H	12,80 mm
Dimension L	40,00 mm
Counter-trough/clip version	Counter-trough
Suitable for max. cable diameter	90,00 mm
Clamping range D	82,00 - 90,00 mm

Technical data sheet

Counter-trough, plastic, universal

Art.-Nr. 1198100



Regardless of the type of rail, the counter-trough can be used by applying it onto one side of the clamp clip. Due to an intelligent contour on the backside, the counter-trough can be combined to a double trough. Retrofitting possible without the need to dismantle.

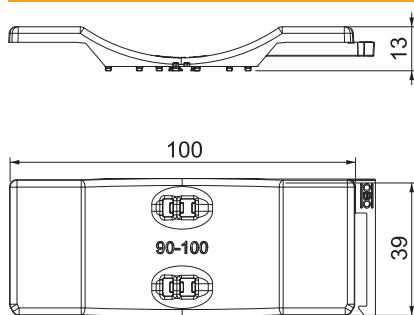


PP Polypropylene

Master data

Item No.	1198100
Type	2058UW 100 LGR
Description 1	Counter-trough
Description 2	combinable with double trough
Available from	15.05.2019
Dimension	90-100mm
Colour	Light grey
RAL number	7.035.00
Material	Polypropylene
Material symbol	PP
Smallest sales unit	25,00 pcs
Weight	1,18 kg/100 pcs.

Technical specifications



Dimension B	106,00 mm
Dimension H	12,80 mm
Dimension L	40,00 mm
Counter-trough/clip version	Counter-trough
Suitable for max. cable diameter	100,00 mm
Clamping range D	90,00 - 100,00 mm